

BALDOR® • RELIANCE 

Product Information Packet

HIC264A

.33HP, 1625RPM, 1PH, 60HZ, 48Z, 3414C, TEAO, F1

Part Detail							
Revision:	G	Status:	PRD/A	Change #:		Proprietary:	No
Type:	AC	Elec. Spec:	34WGR070	CD Diagram:	CD0804A01	Mfg Plant:	
Mech. Spec:	34M259	Layout:	34LYM259	Poles:	04	Created Date:	06-04-2013
Base:	N	Eff. Date:	07-20-2018	Leads:	9#18		

Specs			
Catalog Number:	HIC264A	Inverter Code:	Not Inverter
Enclosure:	TEAO	KVA Code:	C
Frame:	48Z	Lifting Lugs:	No Lifting Lugs
Frame Material:	Steel	Locked Bearing Indicator:	No Locked Bearing
Output @ Frequency:	.330 HP @ 60 HZ	Motor Lead Quantity/Wire Size:	9 @ 18 AWG
Synchronous Speed @ Frequency:	1800 RPM @ 60 HZ	Motor Lead Exit:	Terminal Panel Or Lead Hole
Voltage @ Frequency:	115.0 V @ 60 HZ	Motor Lead Termination:	None
	230.0 V @ 60 HZ	Motor Type:	3414C
XP Class and Group:	None	Mounting Arrangement:	F1
XP Division:	Not Applicable	Power Factor:	90
Agency Approvals:	UR	Product Family:	General Purpose
	CSA	Pulley End Bearing Type:	Ball
Auxillary Box:	No Auxillary Box	Pulley Face Code:	Standard
Auxillary Box Lead Termination:	None	Pulley Shaft Indicator:	Multiple Flats
Base Indicator:	No Mounting	Rodent Screen:	None
Bearing Grease Type:	Polyrex EM (-20F +300F)	RoHS Status:	ROHS COMPLIANT
Blower:	None	Shaft Extension Location:	Pulley End
Current @ Voltage:	1.900 A @ 230.0 V	Shaft Ground Indicator:	No Shaft Grounding

	3.800 A @ 115.0 V	Shaft Rotation:	Reversible: Connected Standard
Design Code:	-	Shaft Slinger Indicator:	Shaft Slinger
Drip Cover:	No Drip Cover	Speed Code:	Single Speed
Duty Rating:	CONT	Motor Standards:	NEMA
Electrically Isolated Bearing:	Not Electrically Isolated	Starting Method:	Direct on line
Feedback Device:	NO FEEDBACK	Thermal Device - Bearing:	NONE (OLD)
Front Face Code:	Terminal Panel	Thermal Device - Winding:	None
Front Shaft Indicator:	None	Vibration Sensor Indicator:	No Vibration Sensor
Heater Indicator:	No Heater	Winding Thermal 1:	Automatic Thermal Overload
Insulation Class:	F	Winding Thermal 1 Location:	WG
		Winding Thermal 2:	None

Nameplate NP1257L										
CAT.NO.	HIC264A									
SPEC.	34M259R070G1									
HP	.33									
VOLTS	115/230									
AMP	3.8/1.9									
RPM	1625									
FRAME	48Z				HZ	60			PH	1
SER.F.	1.00		CODE	C	DES	-		CL	F	
NEMA-NOM-EFF	64		PF	90						
RATING	40C AMB-CONT									
CC					USABLE AT 208V					
DE	6203			ODE	6203					
ENCL	TEAO		SN							

Parts List		
Part Number	Description	Quantity
SA264225	SA 34M259R070G1	1.000 EA
RA250938	RA 34M259R070G1	1.000 EA
OC3020F12SP	CAPACITORS 20 MFD 370 VAC	1.000 EA
11XT0832G06	8-32 X 3/8 TY 23 TAPPING	1.000 EA
51XW0832A07	8-32 X .44, TAPTITE II, HEX WSHR SLTD SE	3.000 EA
33CB4800A01	CAPACITOR COVER, STAMPED	1.000 EA
35GS3001A01	GASKET, CAPACITOR COVER	1.000 EA
34GS5003	OAM SLEEVE, ID = 2 1/16" X 3 3/8"	1.000 EA
51XB1016A05	10-16X5/16HX WA SL SR TYB (F/S)	2.000 EA
WD4100A42	CAPLUG BPF-3/4, FOR 1/2" NPT OR 3/4 HOLE	1.000 EA
34EP3204D01	SPL FR ENDPLATE 34L - ENCL	1.000 EA
HW5100A03	WAVY WASHER (W1543-017)	1.000 EA
34EP3109D01	PU ENDPLATE, MACH ENCL, 5.125 B.C.	1.000 EA
XY0832A02	8-32 HEX NUT	8.000 EA
34CB4501SP	TERMINAL BOX LID, STAMPED X (PLATED)	1.000 EA
34GS1005	GASKET, TERM PLATE LID	1.000 EA
51XW0832A07	8-32 X .44, TAPTITE II, HEX WSHR SLTD SE	2.000 EA
HA1005A05SP	SLINGER, OD 1.50, ID .659, 203 BRG	1.000 EA
MG1000G27	MED CHARCOAL METALLIC GREY 400-0096	0.014 GA
85XU0407S04	4X1/4 U DRIVE PIN STAINLESS	2.000 EA
ML14-8C18	18 AWG, 8,RED	24.000 IN
WD1000A16	2-520128-2 AMP FLAG TERMINAL(4M/RL)	2.000 EA
WD1000A27	2-520263-4 AMP TRM 3.4/RL	1.000 EA
WD1000A28	SPADE TERM,18-22AWG.INSUL.(3./RL) AMP# 2	1.000 EA

Parts List (continued)		
Part Number	Description	Quantity
WD1000A27	2-520263-4 AMP TRM 3.4/RL	1.000 EA
WD1000A28	SPADE TERM,18-22AWG.INSUL.(3./RL) AMP# 2	1.000 EA
ML14-6L18	18 AWG, 6,PURPLE	21.000 IN
WD1000A16	2-520128-2 AMP FLAG TERMINAL(4M/RL)	1.000 EA
ML14-6L18	18 AWG, 6,PURPLE	21.000 IN
WD1000A16	2-520128-2 AMP FLAG TERMINAL(4M/RL)	1.000 EA
WD1000A16	2-520128-2 AMP FLAG TERMINAL(4M/RL)	7.000 EA
SP5068A29	MODEL 34 TERM PANEL SWITCH "L"	1.000 EA
HA3169A07	THRUBOLT #8-32 THDS X 8.188" LONG	4.000 EA
MN416A01	TAG-INSTAL-MAINT no wire (1200/bx) 5/18	1.000 EA
LB1118	LABEL,WARNING (ROLL LABEL)	1.000 EA
NP1257L	ALUM UL CSA CC THERMAL REV MTG	1.000 EA
34PA1002	PKG GRP, PRINT PK1001A01	1.000 EA
PK3083T	STYROFOAM PACKING CRADLE	1.000 EA
PK3088	MICROFOAM, 8"X"8 PERF. SHEETS 5,400/RL	1.000 EA

AC Induction Motor Performance Data

Record # 42889 - Typical performance - not guaranteed values

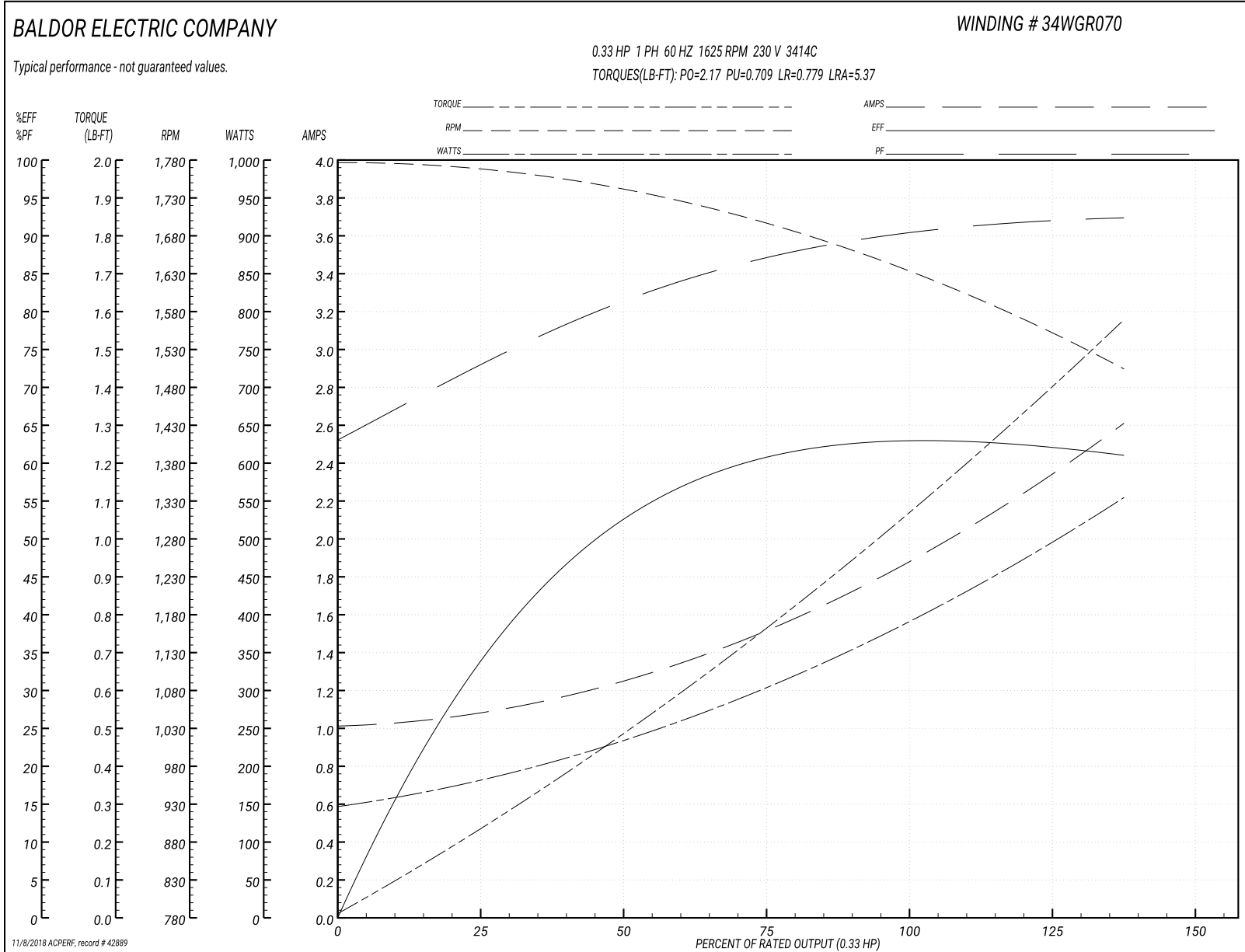
Winding: 34WGR070-R001	Type: 3414C	Enclosure: TEAO
-------------------------------	--------------------	------------------------

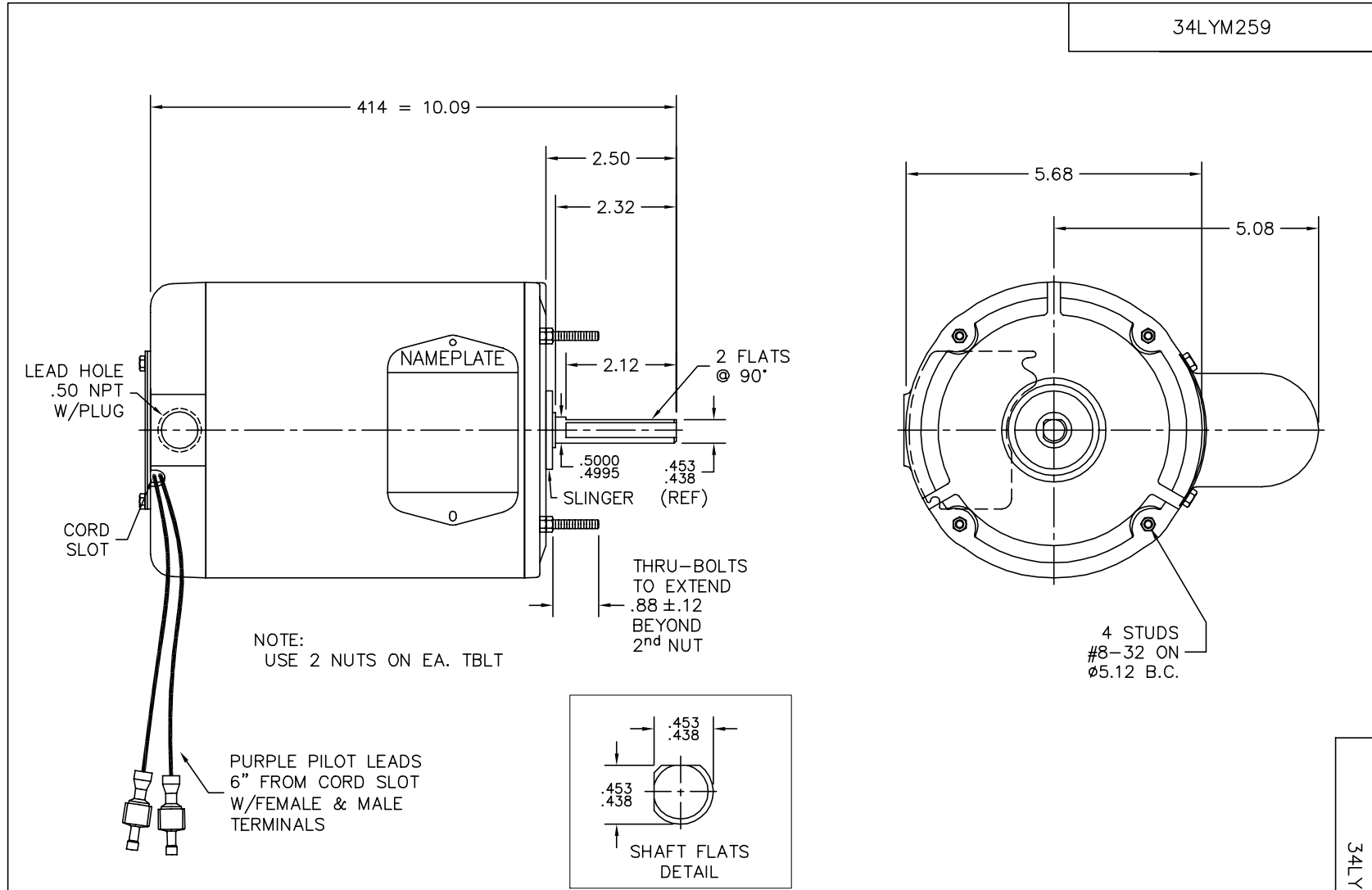
Nameplate Data				230 V, 60 Hz: High Voltage Connection	
Rated Output (HP)	.33 AIR OVER			Full Load Torque	1.06 LB-FT
Volts	115/230			Start Configuration	direct on line
Full Load Amps	3.8/1.9			Breakdown Torque	2.17 LB-FT
R.P.M.	1625			Pull-up Torque	0.709 LB-FT
Hz	60	Phase	1	Locked-rotor Torque	0.779 LB-FT
NEMA Design Code	-	KVA Code	C	Starting Current	5.37 A
Service Factor (S.F.)	1			No-load Current	0.987 A
NEMA Nom. Eff.	64	Power Factor	90	Line-line Res. @ 25°C	11.488 Ω A Ph 9.5258 Ω B Ph
Rating - Duty	40C AMB-CONT			Temp. Rise @ Rated Load	

Load Characteristics 230 V, 60 Hz, 0.33 HP

% of Rated Load	25	50	75	100	125	150
Power Factor	75	83	88	90	92	93
Efficiency	34	52.1	61.3	64.6	63.9	59.8
Speed	1759.9	1728.4	1690.3	1642	1577	1489.7
Line amperes	1.11	1.31	1.56	1.85	2.22	2.67

Performance Graph at 230V, 60Hz, 0.33HP Typical performance - Not guaranteed values





CUSTOMER IS RESPONSIBLE FOR DETERMINING THAT BALDOR'S PRODUCT WILL PERFORM SUITABLY IN THE INTENDED APPLICATION.

REV. DESC: NEW			BALDOR
REV. LTR: -	VERSION: 00	TDR: 000000801807	
FILE: \AAA\00200\863		REVISED: 07:56:54 06/04/2013	VER 34C NEMA 48Z TEAO TERM PANEL, PILOT CIRCUIT, CAP @ 3:00
MTL: -		BY: ENBENBO	SH 1 of 1

34LYM259

